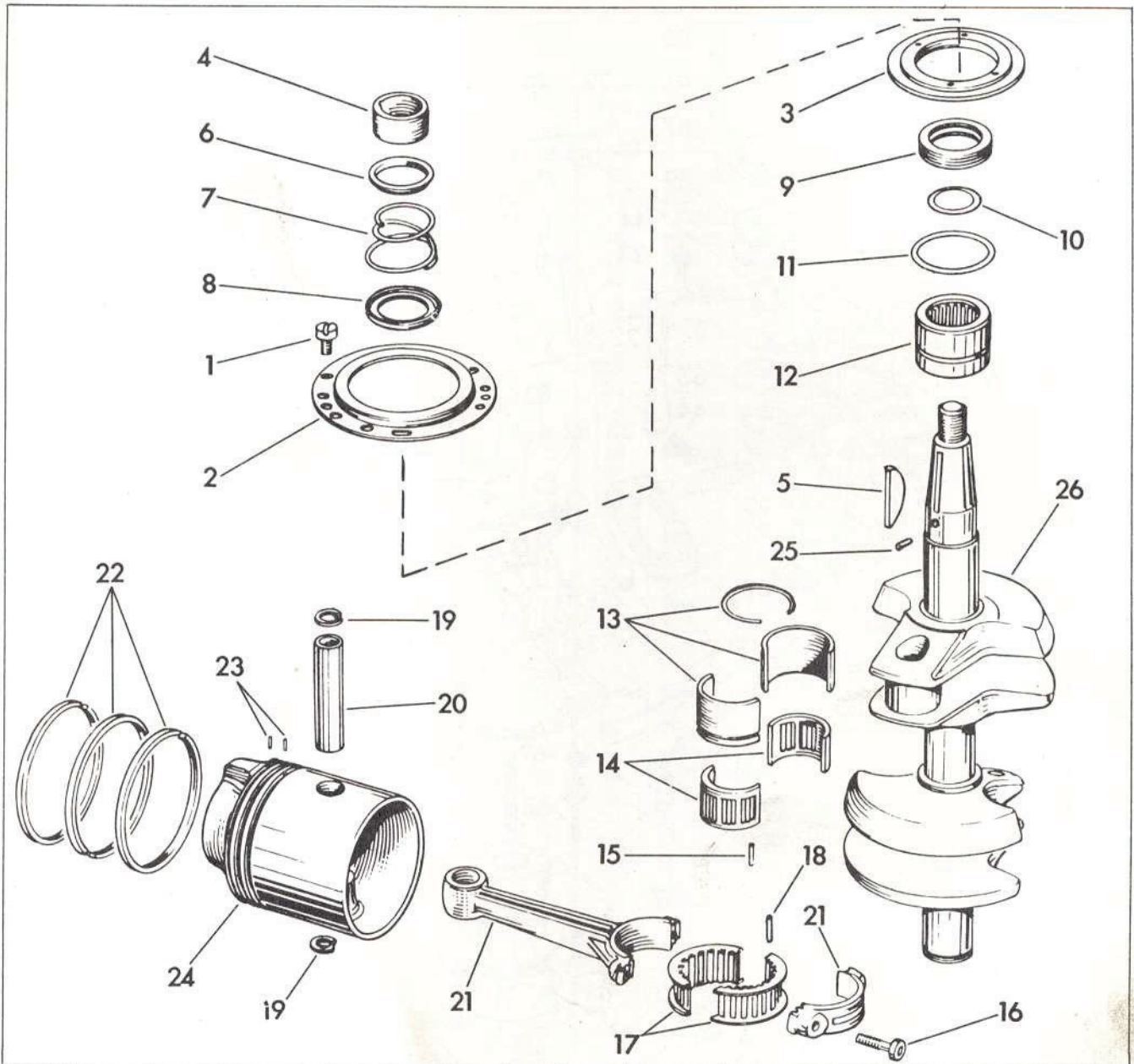


SUPER FASTWIN CRANKSHAFT AND PISTON



REF. NO.	PART NO.	NAME OF PART	QTY.	REF. NO.	PART NO.	NAME OF PART	QTY.
1	41X223	Armature plate support screw . .	3	13	302585	Center bearing split sleeve	1
2	303278	Armature plate support	1	14	302755	Bearing cage center	2
3	303277	Armature plate retaining ring . .	1	15	302584	Center bearing roller	18
4	510168	Magneto cam	1	16	202967	Connecting rod screw	4
5	120395	Crankshaft key	1	17	203244	Connecting rod bearing retainer . .	2
6	301857	Outer spring seal retaining washer	1	18	302529	Connecting rod needle	30
7	203250	Upper bearing seal spring	1	19	120011	Piston pin spring ring	4
8	302594	Upper brg. seal spring retaining washer	1	20	203238	Piston pin	4
9	302538	Upper bearing seal (carbon) . . .	1	21	277205	Connecting rod assy	2
10	302540	Upper bearing seal, (C-ring, inner)	1	22	301787	Piston ring	6
11	302537	Upper bearing seal (O-ring, outer)	1	22	302399	Piston ring, .020 O.S.	6
12	375763	Roller bearing assy, upper	1	23	300288	Piston dowel pin	6
				24	277204	Piston and dowel pin	2
				24	277292	Piston and dowel pin, .020 O.S. .	2
				25	302578	Cam to crankshaft pin-where used	1
				26	203231	Crankshaft	1

ORDER YOUR PARTS FROM YOUR DISTRICT SERVICE STATION